

## 链轮 SPROCKET 6 × 2.8mm

### 04B-1

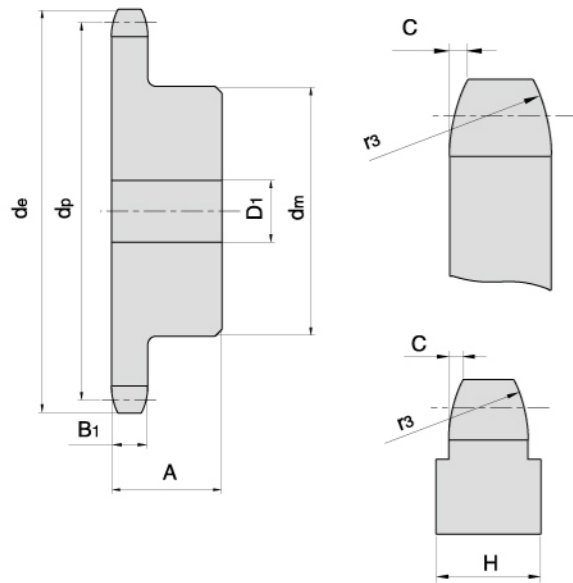
链轮 SPROCKET 6 × 2.8mm

配对链条标准为DIN8187 ISO/R 606  
For Chain Acc.to DIN8187 ISO/R 606

链轮 SPROCKET	mm
齿侧倒角半径 Tooth Radius r <sub>3</sub>	6.0
齿侧倒角宽 Radius Width C	0.7
齿宽 Tooth Width B <sub>1</sub>	2.6

链条 CHAIN	mm
节距 Pitch	6.0
内节内宽 Internal Width	2.8
滚子直径 Roller Diameter	4.0

齿数等于或超过66时, H=4mm  
When Z ≥ 66, H=4mm



Z	de	dp	SIMPLEX		
			dm	D1	A
8	18.0	15.67	9.8	5	10
9	19.9	17.54	11.5	5	10
10	21.7	19.42	13.0	6	10
11	23.6	21.30	14.0	6	10
12	25.4	23.18	16.0	6	10
13	27.3	25.05	18.0	8	10
14	29.2	26.96	20.0	8	10
15	31.0	28.86	20.0	8	10
16	33.0	30.76	20.0	8	13
17	35.0	32.65	20.0	8	13
18	36.9	34.55	20.0	8	13
19	38.8	36.44	20.0	8	13
20	40.7	38.34	20.0	8	13
21	42.6	40.25	25.0	8	13
22	44.5	42.16	25.0	8	13
23	46.4	44.06	25.0	8	13
24	48.3	45.96	25.0	8	13
25	50.2	47.87	25.0	8	13
26	52.1	49.76	30.0	8	15
27	54.0	51.67	30.0	8	15
28	55.9	53.58	30.0	8	15
29	57.8	55.50	30.0	8	15
30	59.8	57.42	30.0	8	15
31	61.7	59.31	30.0	8	15
32	63.6	61.21	30.0	8	15
33	65.5	63.11	30.0	8	15
34	67.4	65.02	30.0	8	15
35	69.3	66.93	30.0	8	15
36	71.2	68.84	30.0	8	15
37	73.1	70.75	30.0	8	15
38	75.0	72.66	30.0	8	15
39	76.9	74.57	30.0	8	15
40	78.9	76.47	30.0	8	15
41	80.8	78.38	40.0	8	18
42	82.7	80.28	40.0	8	18
43	84.7	82.20	40.0	8	18
44	86.6	84.10	40.0	8	18
45	88.5	86.01	40.0	8	18
46	90.4	87.92	40.0	8	18
47	92.3	89.83	40.0	8	18
48	94.2	91.74	40.0	8	18
49	96.1	93.64	40.0	8	18
50	98.0	95.55	40.0	8	18
51	99.9	97.46	40.0	8	18
52	101.8	99.37	40.0	8	18
53	103.7	101.27	40.0	8	18
54	105.6	103.17	40.0	8	18
55	107.6	105.08	40.0	8	18
56	109.5	107.00	40.0	8	18
57	111.4	108.93	40.0	8	18
58	113.3	110.82	50.0	8	20
59	115.2	112.71	50.0	8	20
60	117.1	114.62	50.0	8	20
62	120.9	118.45	50.0	8	20
64	124.7	122.27	50.0	8	20
65	126.6	124.18	50.0	8	20
66	128.5	126.09	50.0	8	20
68	132.4	129.91	50.0	8	20
70	136.2	133.73	50.0	8	20
72	140.0	137.55	50.0	8	20
75	145.7	143.28	50.0	8	20
76	147.6	145.19	50.0	8	20
78	151.5	149.01	70.0	8	30
80	155.3	152.82	70.0	8	30
85	164.8	162.37	70.0	8	30
90	174.4	171.92	70.0	8	30
95	183.9	181.47	70.0	8	30
100	193.5	191.01	70.0	8	30
110	212.6	210.11	70.0	8	30
114	220.2	217.75	70.0	8	30
120	231.7	229.20	70.0	8	30
125	241.2	238.75	70.0	8	30

## 链轮 PLATEWHEEL 6 × 2.8mm

### 04A-1

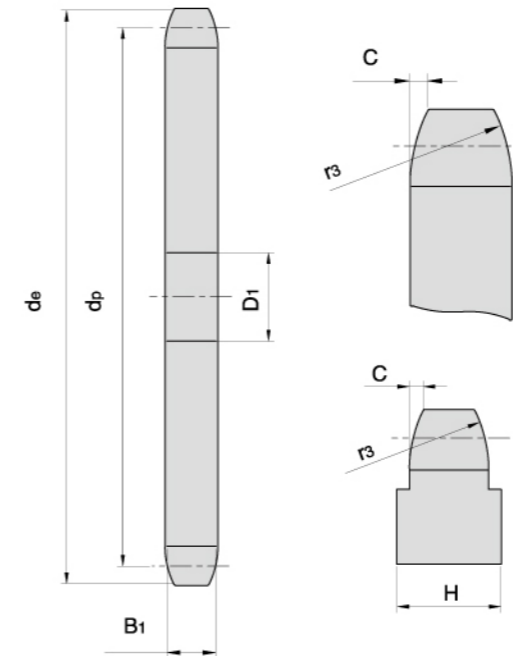
链轮 PLATEWHEEL 6 × 2.8mm

配对链条标准为DIN8187 ISO/R 606  
For Chain Acc.to DIN8187 ISO/R 606

链轮 PLATEWHEEL	mm
齿侧倒角半径 Tooth Radius r <sub>3</sub>	6.0
齿侧倒角宽 Radius Width C	0.6
齿宽 Tooth Width B <sub>1</sub>	2.6

链条 CHAIN	mm
节距 Pitch	6.0
内节内宽 Internal Width	2.8
滚子直径 Roller Diameter	4.0

齿数等于或超过51时, H=4mm  
When Z ≥ 51, H=4mm



Z	de	dp	S
			D1
8	18.0	15.67	5
9	19.9	17.54	5
10	21.7	19.42	6
11	23.6	21.30	6
12	25.4	23.18	6
13	27.3	25.05	8
14	29.2	26.96	8
15	31.0	28.86	8
16	33.0	30.76	8
17	35.0	32.65	8
18	36.9	34.55	8
19	38.8	36.44	8
20	40.7	38.34	8
21	42.6	40.25	8
22	44.5	42.16	8
23	46.4	44.06	8
24	48.3	45.96	8
25	50.2	47.87	8
26	52.1	49.76	8
27	54.0	51.67	8
28	55.9	53.58	8
29	57.8	55.50	8
30	59.8	57.42	8
31	61.7	59.31	8
32	63.6	61.21	8
33	65.5	63.11	8
34	67.4	65.02	8
35	69.3	66.93	8
36	71.2	68.84	8
37	73.1	70.75	8
38	75.0	72.66	8
39	76.9	74.57	8
40	78.9	76.47	8
41	80.8	78.38	10
42	82.7	80.28	10
43	84.7	82.19	10
44	86.6	84.10	10
45	88.5	86.01	10
46	90.4	87.92	10
47	92.3	89.83	10
48	94.2	91.74	10
49	96.1	93.64	10
50	98.0	95.55	10
51	99.9	97.46	12
52	101.8	99.37	12
53	103.7	101.27	12
54	105.6	103.17	12
55	107.6	105.08	12
56	109.5	107.00	12
57	111.4	108.93	12
58	113.3	110.82	12
59	115.2	112.71	12
60	117.1	114.62	12
62	120.9	118.45	14
64	124.7	122.27	14
65	126.6	124.18	14
66	128.5	126.09	14
68	132.4	129.91	14
70	136.2	133.73	14
72	140.0	137.55	16
75	145.7	143.28	16
76	147.6	145.19	16
78	151.5	149.01	16
80	155.3	152.82	16
85	164.8	162.37	16
90	174.4	171.92	16
95	183.9	181.47	16
100	193.5	191.01	16
110	212.6	210.11	16
114	220.2	217.75	16
120	231.7	229.20	16
125	241.2	238.75	16